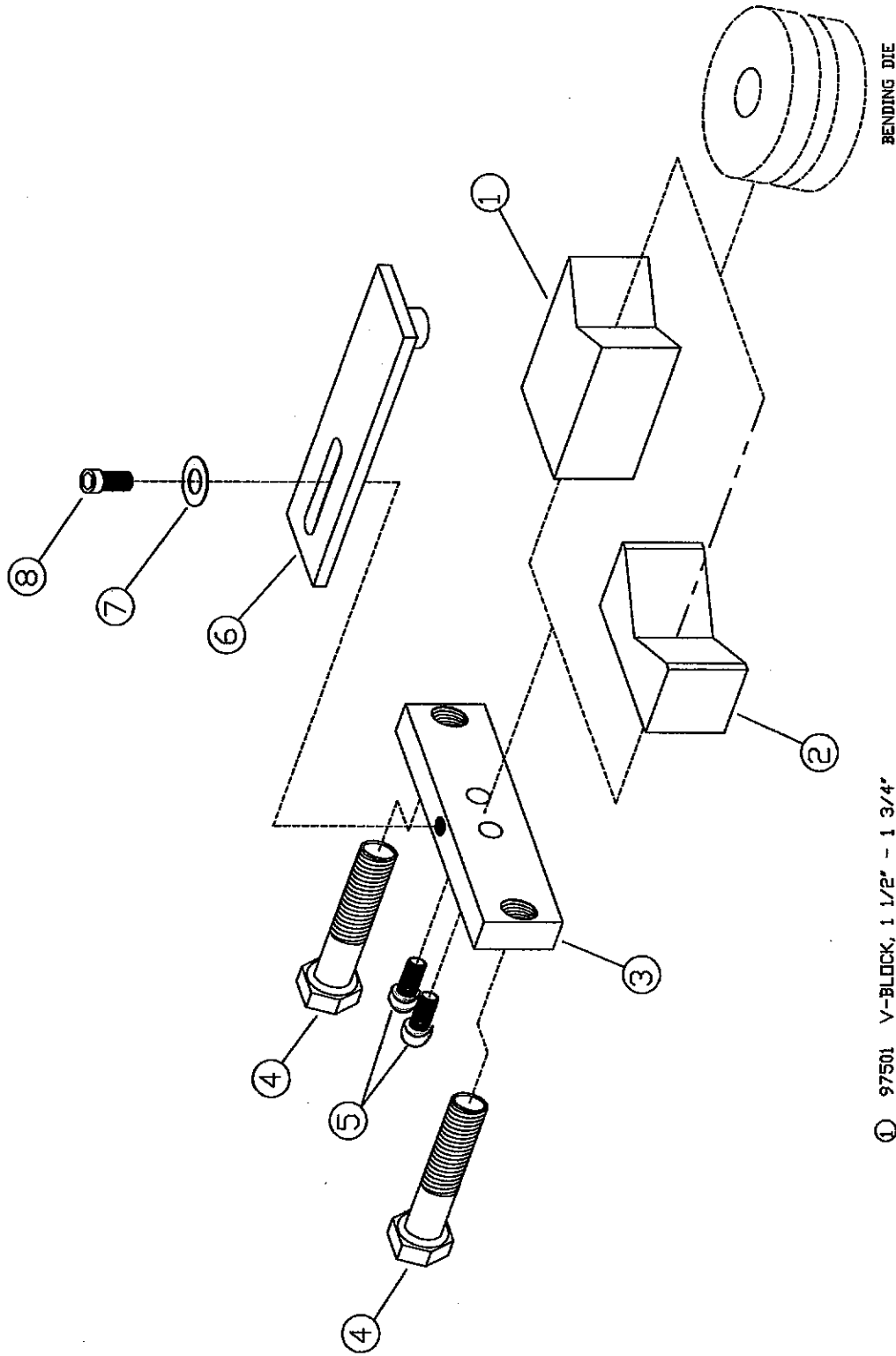


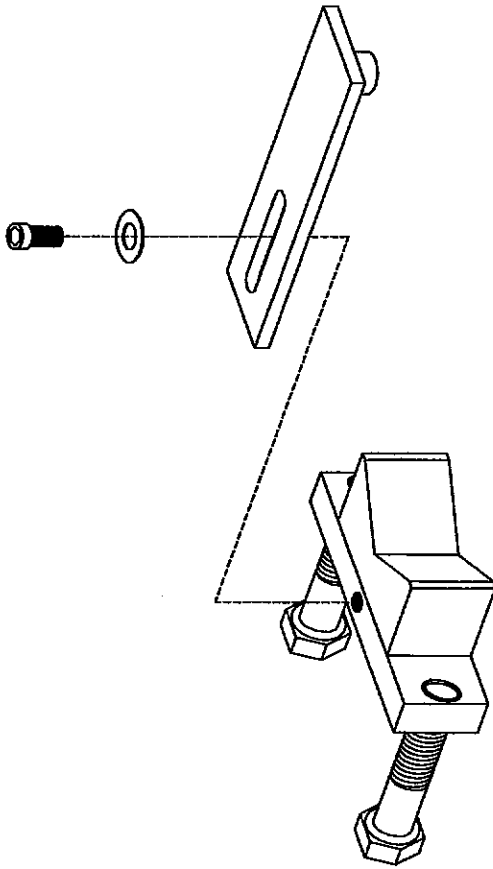
795 - 796 PUSHER SYSTEM REPLACEMENT PARTS



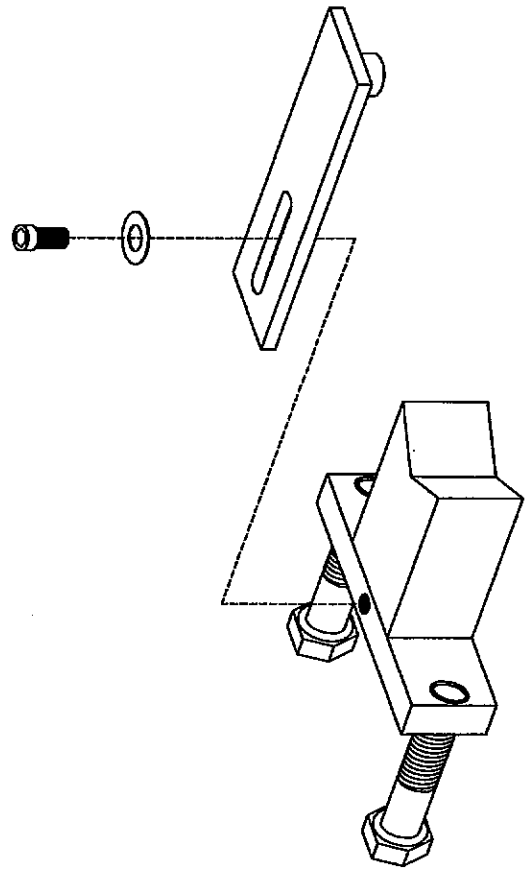
- ① 97501 V-BLOCK, 1 1/2' - 1 3/4'
 - ② 97502 V-BLOCK, 2' - 2 1/2'
 - ③ 97500 PUSHER PLATE
 - ④ 97251 3/4-10 X 3 1/2' HEX BOLT
 - ⑤ 97445 3/8-16 X 1' CAP SCREW
 - ⑥ 97503 RETAINER
 - ⑦ 97291 3/8' FLAT WASHER
 - ⑧ 97276 3/8-16 X 1 1/4' CAP SCREW
- BENDING DIE

1 1/2" TO 2 1/2" RADIUS DIE PUSHER SYSTEM

HUTH NOW OFFERS CUSTOM BUILT RADIUS DIES FROM 1 1/2" TO 2 1/2" RADII. PUSHER SYSTEM 795 ALLOWS YOU TO BEND WITH 1 1/2" - 1 3/4" RADIUS DIES. PUSHER SYSTEM 796 ALLOWS YOU TO BEND WITH 2" - 2 1/2" RADIUS DIES. STANDARD BACK SHOES ARE USED WITH THESE DIES. B



PART NUMBER 796
2" - 2 1/2" RADIUS PUSHER SYSTEM



PART NUMBER 795
1 1/2" - 1 3/4" PUSHER SYSTEM