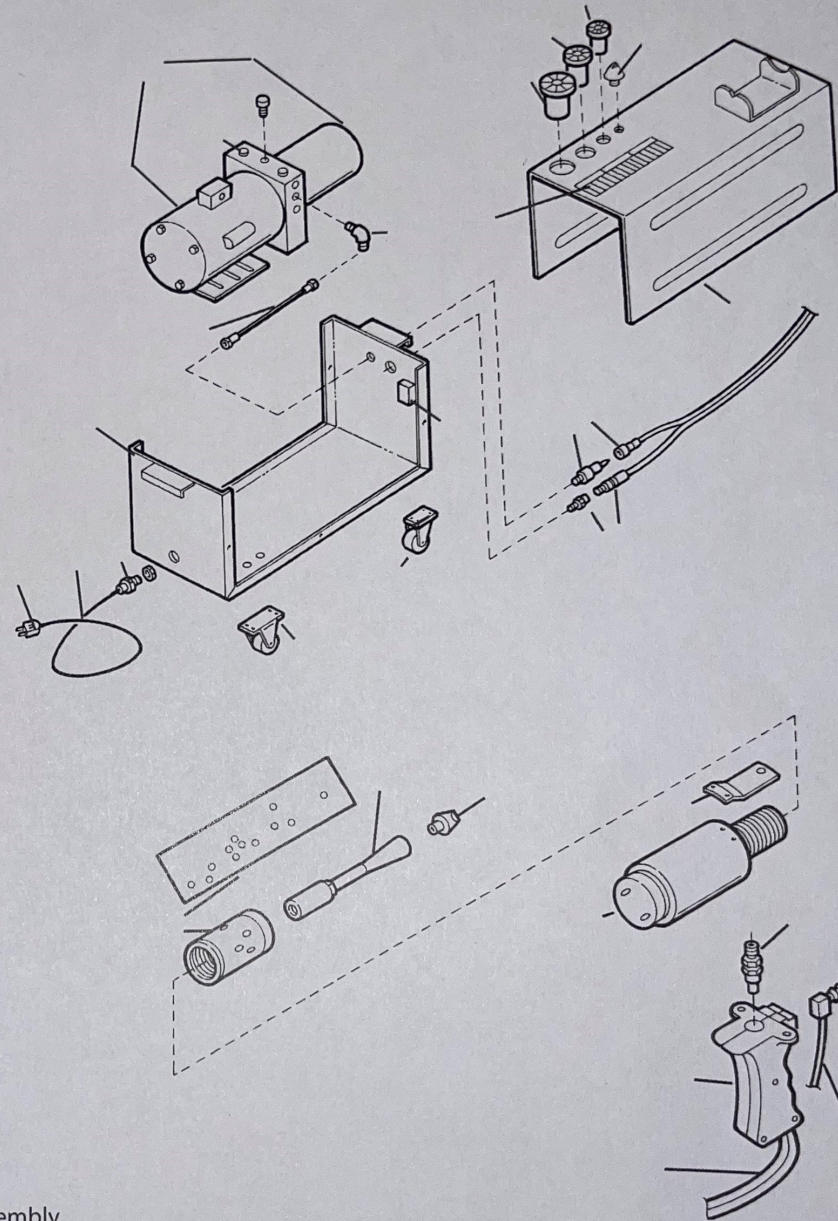


- 4. 95191 Male Plug Power Cord
- 5. 95192 Cord 10' Max. (sold per ft.)
- 6. 95197 Electrical Power Cord Grip
- 7. 95426 Relay
- 8. 95426 Quick Disconnect Elec. Plug

Assembly

- A. 95393 Receptacle
- B. 95394 Plug
- D. 95396 Pins
- E. 95397 Sockets
- 9. 92364 Quick Disconnect Hydraulic Assembly
- 10. 92261 Pump to Quick Disconnect Hose
- 11. 92004 Str. Ftg., 1/2" ML NPT x 3/8" ML JIC
- 12. 1611 Power Unit
- 13. 92365 Filter Element
- 14. 475 Expanding Segment (Black) 2-1/8" - 2-1/2"
- 15. 474 Expanding Segment (Red) 1-3/4" - 2-1/8"
- 16. 473 Expanding Segment (Yellow) 1-1/2" - 1-3/4"
- 17. 498 Arbor Tip Small, 1 1/2" - 1 3/4"
- 18. 98025 Sizing Decal
- 19. 92156 Cylinder Body Assembly
- 92167 Seal Kit for 92156
- 20. 595 Selector Position Sight
- 21. 98024 Calibration Decal
- 22. 497 Arbor, 1 1/2" - 3 1/2"
- 23. 499 Arbor Tip (Large 1 3/4" - 3 1/2")
- 24. 97177 Pistol Grip Handle
- 25. 95177 Trigger Switch
- 26. 92296 Hydraulic Hose Assembly



P/N 1681 Hose Assembly

Includes Keys:

- 8A. 95394 Plug
- 8B. 95395 Cable Clamp
- 8C. 95396 Pins
- 9. 92364 Quick Disconnect Hydraulic Assembly
- 25. 95177 Trigger Switch
- 26. 92296 Hydraulic Hose Assembly

P/N 1682 Gun-Hose Assembly

Includes Keys:

- 19. 92156 Cylinder Body Assembly
- 20. 595 Selector Position Sight
- 21. 98024 Calibration Decal
- 24. 97177 Pistol Grip Handle
- 1681 Hose Assembly Kit