



# HUTH COLLECTOR ORDER/QUOTE REQUEST FORM

PLEASE PROVIDE THE FOLLOWING INFORMATION:

1. CUSTOMER INFO:

NAME \_\_\_\_\_  
 ADDRESS \_\_\_\_\_  
 \_\_\_\_\_  
 \_\_\_\_\_

PHONE \_\_\_\_\_  
 CONTACT \_\_\_\_\_  
 DATE \_\_\_\_\_  
 EMAIL \_\_\_\_\_

2. TYPE OF COLLECTOR

4 TO 1 \_\_\_\_\_ 3 TO 1 \_\_\_\_\_ 2 TO 1 \_\_\_\_\_

3. MATERIAL: ALUMINIZED \_\_\_\_\_ STAINLESS \_\_\_\_\_

4. INLET TUBE SIZE \_\_\_\_\_

5. CHOKE/ORIGINAL TUBE DIAMETER \_\_\_\_\_

6. OUTLET OD SIZE \_\_\_\_\_

7. OVER ALL LENGTH \_\_\_\_\_

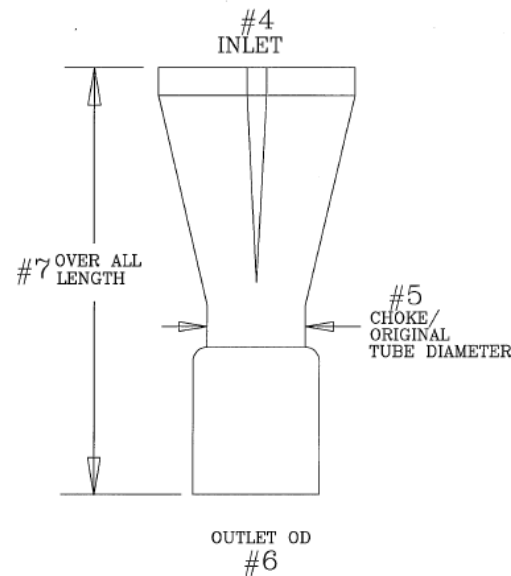
8. QUANTITY ORDERED/REQUESTED \_\_\_\_\_

9. REQUEST QUOTE? YES \_\_\_\_\_ NO \_\_\_\_\_

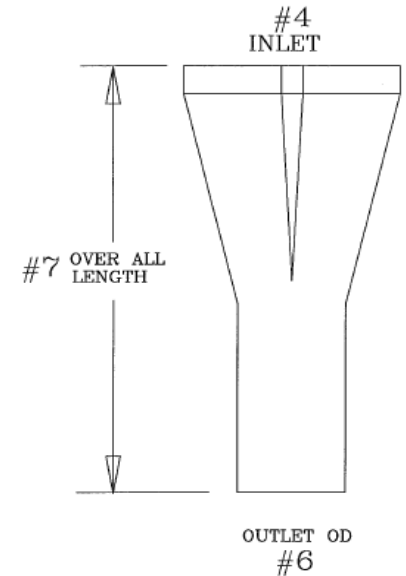
PROVIDED BY HUTH/BEN PEARSON INTERNATIONAL:

ISSUED PART NUMBER \_\_\_\_\_

MERGE COLLECTOR



STRAIGHT COLLECTOR



HUTH – BEN PEARSON INTERNATIONAL LLC

260 GRANT ST. HARTFORD, WI 53027

WWW.HUTHBENDERS.COM 800-558-7808 FAX 262-673-9443